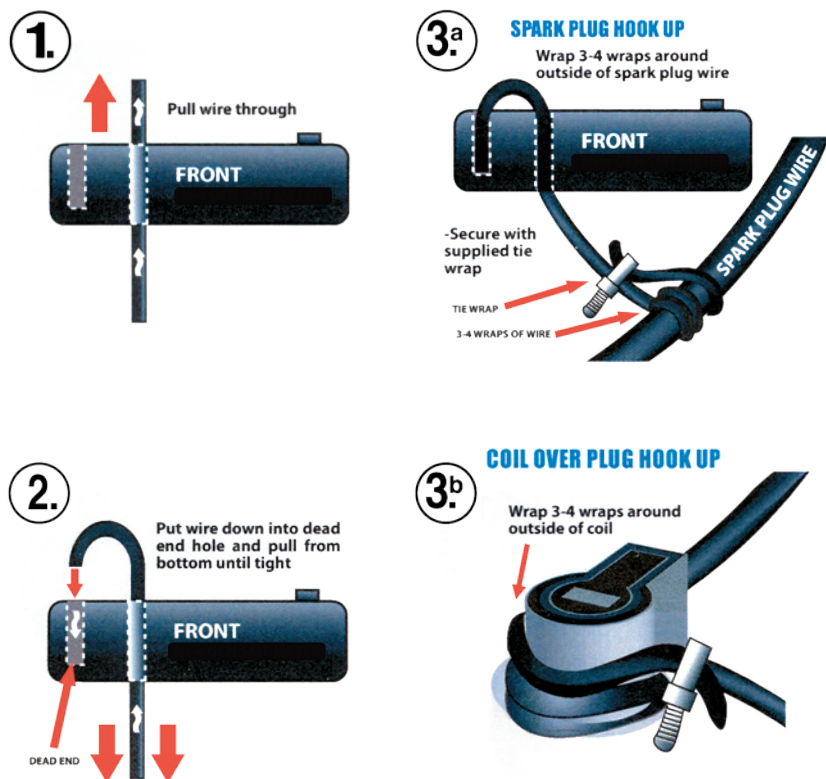
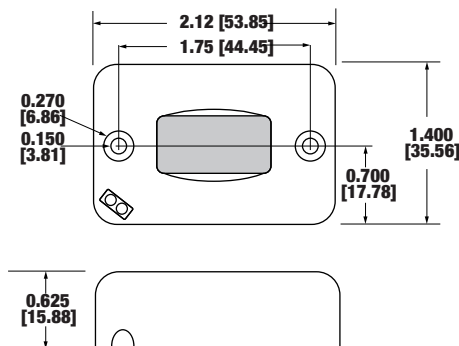


Hour Meter Installation Instructions & Specifications.

Install on traditional or pen-stick coil electrical systems



Mechanical Specification



Wire can exit front or side

Environmental Specifications

- Meter power supply: Internal lithium battery - 3 volt (Li-MnO₂)
- Battery Life: >12 years
- Encapsulation: Internals 100% encapsulated
- LCD: Automotive Grade
- VA (Viewable Area): 12.7mm x 25.4mm
- Digit Height: 6mm
- Digits: 6
- Type: Positive Mode, TN
- Fluid: High Temp
- Polarizer Rear: High Temp Reflective
- Polarizer Front: High Temp, Transmissive (antiglare)
- Viewing Angle: 6 o'clock
- Backlight - NO
- PCB-LCD connection: DIL pin soldered to PCB
- Logging Response Time:
 - » Log ON: 1 second
 - » Log OFF: 1 second
- Average Log ON-Log OFF = 0
- Accuracy; +/- 0.01 % @ 25C
- Front Bezel: ABS - black housing (Polylac PA757) with Acrylic clear window (Altuglas MI-7-101)
- Mounting-Screws, Velcro or Double sided tape.
- Weight: 0.95 oz. (27g)

Tests and Certifications:

- Emissions: (CISPR11:2003 + A1:2004, Group1)
- Radiated: Class B
- ESD (Cenelec EN61000-4-2:1995+A1:1998+A2:2001)
- +/- 4kV contact
- +/- 4kV air
- Conducted RF: (Cenelec EN61000-4-6:2007)
- 150kHz to 80MHz 3Vrms, 1kHs 80%AM
- Magnetic Fields: (Cenelec EN61000-4-8:1993+A1:2001)
- 3A/m at 50Hz
- Agency approvals: CE

Installation:

1. Find a convenient mounting location; be sure the pickup-wire reaches the spark plug wire or plug-in-coil module. Do Not mount meter where surface temperature exceeds 125F
2. Pull the pickup wire from the bottom of the meter through the pickup hole. Feed the end of the wire down into the adjacent dead end hole and pull tight. Determine if the pickup wire will exit from the front or the left bottom of the meter.
3. Mount the meter with screws, double sided tape, or Velcro. If using screws, use the meter to make a template for drilling holes with 7/64" drill bit. DO NOT DRILL into GAS TANKS or ENGINE CRANKCASE. See Dealer or call for best practices. Secure with screws.
4. Spark plug hookup: For spark plug wire hookup, wrap the end of the pickup wire 3-4 times around the OUTSIDE of the sparkplug wire and secure it with a tie wrap. For plug-in-coil module, wrap the pickup wire several times around the module and secure it with a tie wrap.